

Scoop stretcher EN 1865

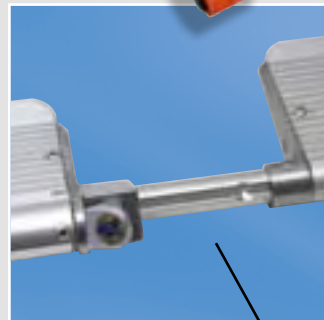
The scoop stretcher is used to recover people who have been involved in accidents and may have back or spinal injuries.

It can be separated down the middle and slid beneath the person who is being carried from both sides. The sturdy aluminium version has been tested up to 150 kg. The catches at the separation points are easy to open and can also withstand heavy loads. Of course, the scoop stretcher complies with the requirements of EN 1865.

Scope of delivery:

- 1 x Scoop stretcher
- 3 x Patient straps

Order no.	Dimensions mm	Weight g
	folded up	
254020	1220 x 420 x 95	9000



Length adjustment



Catch



DÖNGES
exclusive

DÖNGES
exclusive



Carrying chair

Carrying chair with high-quality aluminium frame with four carrying handles and two wheels. Ideal for transporting patients in narrow stairways, lifts and in confined spaces. Seat surfaces made from robust, liquid-repelling artificial fabric.

Features:

- 4 Carrying handles
- 2 Armrests
- 2 Swivelling and lockable wheels
- Automatic locking

Technical data:

Folded out:	91 x 71 x 52 cm
Collapsed:	91 x 19.5 x 52 cm
Load capacity:	150 kg

Scope of delivery:

- 1 x Carrying chair
- 2 x Patient straps

Order no.	Weight g
254026	8500



Stretcher DIN 13024

DIN 13024 stretcher in two different versions: folding once or twice. Covered with robust chemical fibre fabric for quick and easy cleaning and disinfection.

The stretcher can also be supplied with a covering made from liquid-permeable mono-filament fabric. This stretcher is ideal for decontamination equipment.

Frame made from square lightweight metal profile, lockable lateral joints, slide-in carry handles, chest and foot straps with quick-release catch, four sliding feet.



Order no.	Item	Dimensions mm	Weight g collapsed
1	253502 K (folds twice)	1040 x 180 x 145	8500
2	253504 N (folds once)	1920 x 150 x 145	8500
	253508 Carry bag for stretcher K		500
	253506 Carry bag for stretcher N		500
	253514 Carry belt for stretcher (DIN 13044)		200

Tray

Practical tray for storing bandages, treatment implements etc.

Fits on any DIN 13024 stretcher. The tray is simply placed onto the extended carry handles of the stretcher. All stainless steel. With surrounding edge to prevent objects from falling to the ground.

Dimensions: 18 x 55 cm
Load capacity: 25 kg

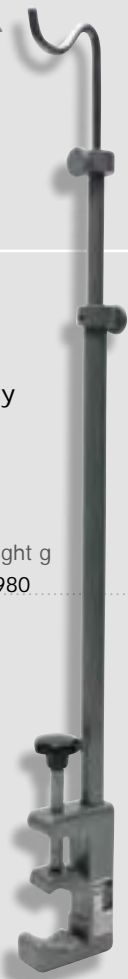
Order no.	Dimensions cm	Weight g
251029	18x 55	1200



Infusion tripod

For hang up one side of the stretcher. Suitable for stretchers that comply with DIN 13024. Infinitely variable height. Hook for suspending infusion bottles made from stainless steel.

Order no.	Weight g
251030	980



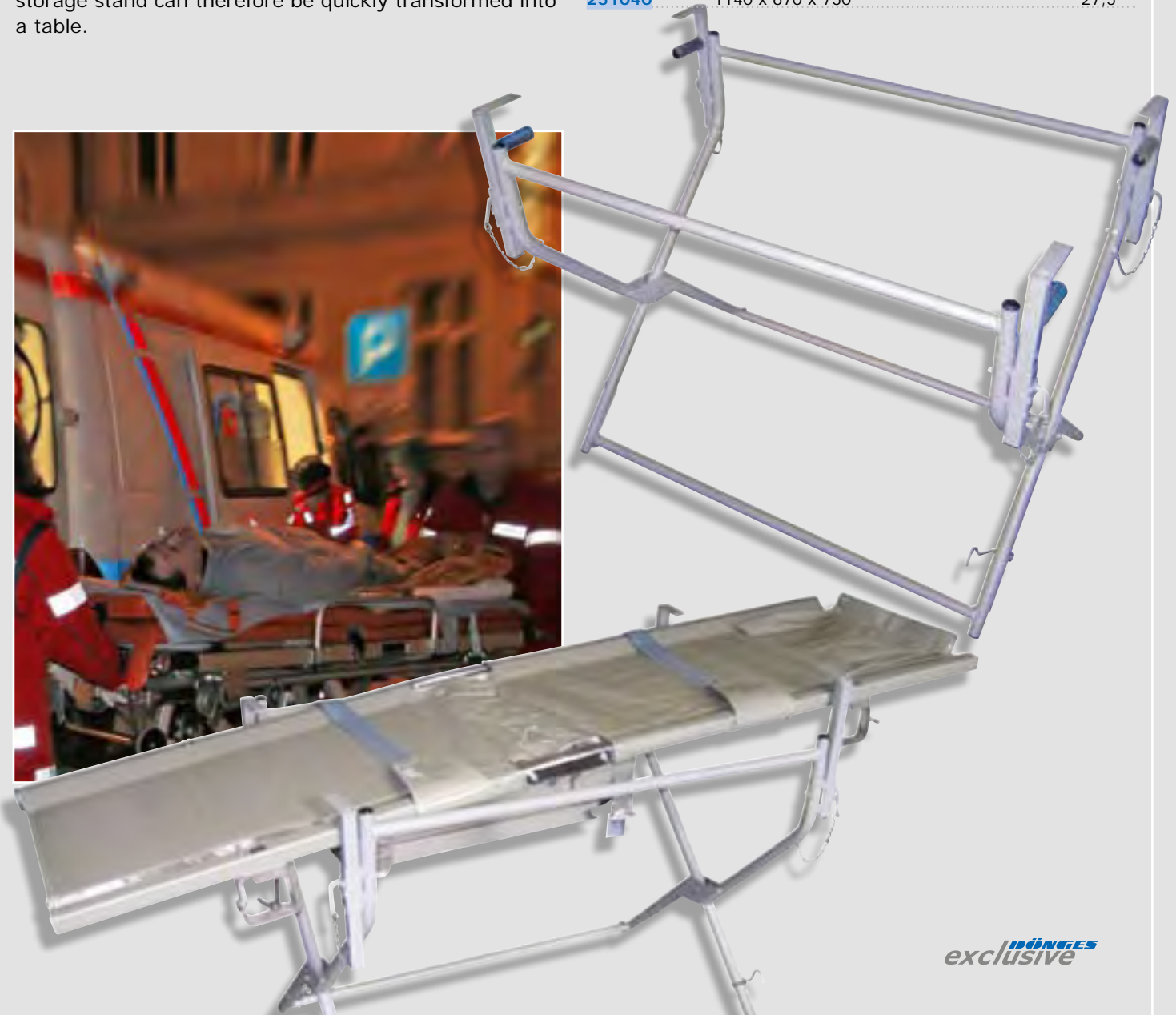
Stretcher storage stand

The stretcher storage stand has been standard equipment at every treatment location for many years. The DIN stretcher is safely placed onto the storage stand, and the patient is at a convenient height for parts. The stable frame is galvanised and is supplied in a painted metal transportation box. The transportation box can also be used as a table top. The stretcher storage stand can therefore be quickly transformed into a table.

Features:

- Sturdy, galvanised frame for maximum stability
- Robust painted metal transportation box
- Max. load-bearing capacity 160 kg
- Max. load-bearing capacity of table top 25 kg
- Package size 1080 x 350 x 120 mm (L x W x H)

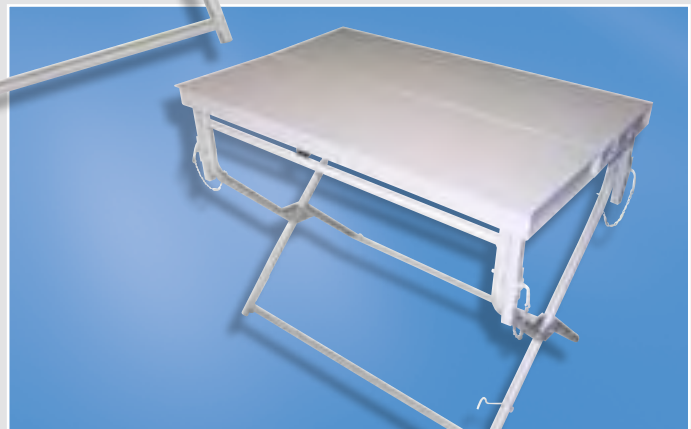
Order no.	Assembled dimensions (L x W x H) mm	Weight kg
251040	1140 x 670 x 750	27,5



DÖNGES
exclusive



Storage stand in transportation box.



Can also be used as table.

Basket stretcher

Basket stretchers are used wherever there are problems transporting injured persons using conventional means such as stretchers or carrying chairs. Regardless of whether injured persons are being carried up and down steep, narrow stairs, on scaffolding or building sites, in mines, on boats or in shafts - the basket stretcher is always a useful transportation aid.

Common features:

- Polyethylene tray
- Surrounding aluminium frame
- Four eyes for suspending the abseiling spider
- Surrounding polyamide rope for securing the straps
- Adjustable footrest
- Handles all round for secure grip



Dönges basket stretcher

Features:

- Three patient straps
- Black foam material mattress

Technical data:

Dimensions: 213 x 61 x 18 cm
 Load capacity: 200 kg



Space-saving, divided version

2

DÖNGES
exclusive



One-piece version

1



Ferno 71FF basket stretcher

Features:

- Four patient straps
- Coated foam material mattress
- Reinforced aluminium frame
- With expansion compensation

Technical data:

Dimensions: 216 x 61 x 19 cm
Load capacity: 272 kg



Abseiling spider for basket stretchers

Extremely stable version with large, self-locking karabiners.

Colour coded, adjustable straps for quick fitting.

Protective sleeve for basket stretchers

Made from robust Pax®-Plan. Colour red.

For storing and transporting basket stretchers

Order no.	Model	Version	Weight kg
253600	Dönges	one-piece	14,0
2 253601	Dönges	divided	15,0
3 253602	Ferno 71FF	one-piece	13,0
4 253604	Abseiling spider		2,3
253605	Protective sleeve	divided	1,0
253606	Protective sleeve	one-piece	1,1

Dönges carrying sling EN 1865

Anywhere where lack of space or impassable terrain makes the use of a conventional stretcher impossible, the Dönges carrying sling allows injured persons to be transported reliably and safely.

The sturdy nylon fabric with the belt bands sewn around the edges provides load-bearing capacity of up to 150 kg.

The surface coating makes the sling water repellent and impermeable to liquids.

Ten carrying loops ensure that the sling can be securely held, even wearing gloves.

Of course, the sling also complies with the requirements of EN 1865.

For safe storage and easy transportation the carrying sling is provided with a robust stand-by bag. Also meets the requirements of loading standards DIN 14530 and DIN 14555 for fire brigade vehicles.



Technical data:

Material: Coated nylon fabric, washable, impermeable to fluids, 100% x-ray transparent

Colour: Red

Dimensions: Sling 195 x 75 cm

Bag 46 x 29 cm

Load capacity: 150 kg

Order no.

253510

Weight g

2000



exclusive

PAX® carrying sling with foot bag

Carrying sling with sewn-on foot sack. This significantly increases safety during transportation compared to conventional carrying slings.

Technical data:

Material: PAX®-Plan, 100% x-ray transparent

Colour: Red

Dimensions: Sling 200 x 80 cm, with 8 handles

Load capacity: 150 kg

Order no.

253511

Weight g

1500





PAX® Carrying sling XXL

Extremely stable version for recovering heavy persons. The sling is supplied complete with a carry bag. The handles are also reinforced.

Technical data:

Material: PAX®-Plan, 100% x-ray transparent
 Colour: Red
 Dimensions: Sling 200 x 120 cm, with 16 handles
 Load capacity: 250 kg

Order no.

253513

Weight g

3000

Disposable carrying sling EN 1865

The disposable rescue sling (rescue cloth/carrying sling) is an important aid during emergencies. The stable woven tarpaulin is also reinforced with straps in order to maximise the load-bearing capacity of the sling. This sling is EN 1865 certified and therefore also approved for rescuing and recovering patients. Simple wraps must not be used as carrying aids.

Features:

- Double stitched edges
- Cost-efficient
- Compact

Technical data:

Material: Sturdy tarpaulin material with additional reinforcements
 100% transparent for x-rays
 Colour: White
 Dimensions: Sling 185 x 57 cm,
 with 12 handles
 Load capacity: 150 kg



Order no.

253505

Weight g

620

DÖNGES
exclusive



Disposable patient blanket

Fleece blanket for ambulance services, rescue services or disaster relief services

Features:

- Fleece outer, with seams all round
- Interior: layers of pulp material
- Dimensions: 190 x 110 cm
- Summer and winter versions available
- Individually packed in film

Order no.	Version	Weight g
253730	6 layers for summer	320
253731	12 layers for winter	550

Ambulance blanket

The alternative to disposable blankets. Protects the environment and your budget. The use of re-usable ambulance blankets soon pays for itself.

Universal blanket

Features:

- Made from coated jersey material, with fleece inlay
- Extremely light, but still provides good insulation
- Bacteriostatic
- Seams welded all round, 100% waterproof
- Washable at 40°C, quick-drying
- Can be disinfected using normal commercial materials
- Colour: dark blue



Thermal blanket

Features:

- Made from polyester fibre
- Extra-thick fleece inlay (200 g/m²), Extremely good thermal properties
- Bacteriostatic
- Washable at 90° C, suitable for dryers
- Can be disinfected using normal commercial materials
- External colour: dark blue
- Patient side colour: turquoise



Bacteriostatic pillow

Features:

- Made from coated jersey material, Fleece inlay
- Washable at 40° C
- Can be disinfected using normal commercial materials
- Colour: dark blue

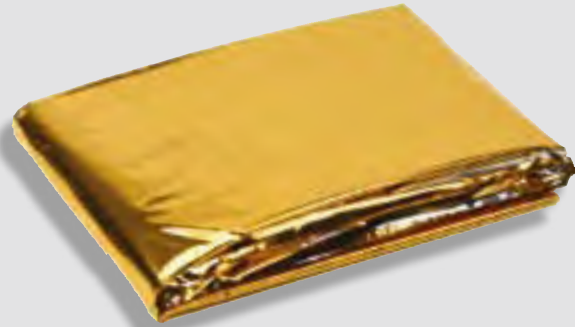


	Order no.	Version	Dimensions cm	Weight g
1	253720	Universal blanket	110 x 190	1000
2	253710	Thermal blanket	120 x 180	1600
3	253715	Pillow	55 x 55	500

Rescue blanket

Gold/silver aluminium-coated. Reflects up to 85% of body heat, can prevent radiation loss, exposure and hypothermia.
Can also be used as a heat shield.

Order no.	Dimensions cm	Weight g
280135	160 x 210	60



Corpse blanket

Black, strong PE film, with two pairs of PE gloves, packed in plastic bag.

Order no.	Dimensions cm	Weight g
214160	230 x 200	340



DÜNGES
exclusive



DÜNGES
exclusive

Corpse cover

White, non-transparent, with strong zip fastener on three sides, four reinforced carrying handles and two pairs of gloves.

Order no.	Dimensions cm	Weight g
214161	220 x 95	900