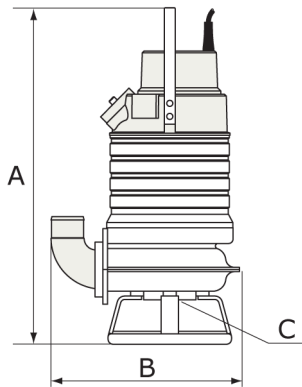




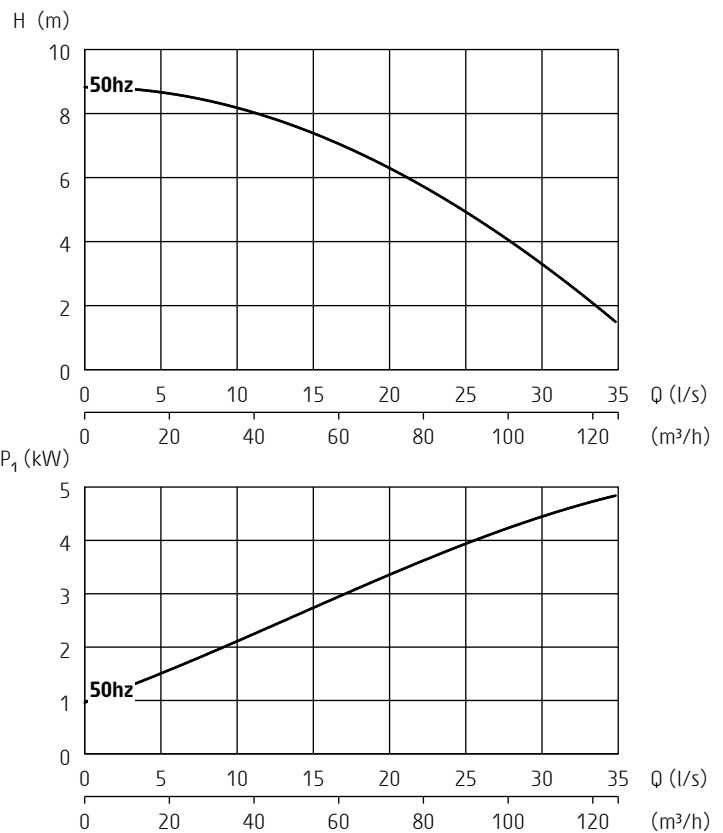
## Senior Inox

Electrical submersible sludge pump



50 Hz	Senior Inox
Discharge connection	4"
Rated power $P_2$ [kW]	4,1
Max. power consumption $P_1$ [kW]	5,2
Shaft speed [r.p.m.]	1350
Rated current at 230V	15 A
Rated current at 400V	8,8 A
Rated current at 500V	7,7 A
Solids passage	80 mm
Dimensions A / B / C	755 / 480 / 80 mm
Weight	86 kg

Other voltages on request



ISO 9906/A

### General description

Submersible sludge pump made of stainless steel for mines, processing industries and salt-water applications

### Classification

Electrical submersible pump

Protection class: IP 68

### Electrical motor

Squirrel cage induction motor

Insulation class: F (IEC 85)

### Motor protection

Phase sequence control, phase failure guard, temperature guard with thermal contacts in the stator (= SMART system). Air valve

### Cable - SubCab 20 m (66 ft)

50 Hz - 60Hz: 4G2.5mm<sup>2</sup> - AWG14/4

### Limitations

Max. submersion depth: 20 m (66 ft)

Max. liquid temperature: 40 °C (104 °F)

Allowed pH range: 2 - 10

Maximum liquid density: 1100 kg/m<sup>3</sup> (68 lbs/ft<sup>3</sup>)

### Shaft seals

Double mechanical shaft seals running in an oil compartment

Material lower seal: silicon carbide - silicon carbide

Material upper seal: carbon - silicon carbide

### Bearings

Ball bearings with C3 clearance

### Discharge connection

3" hose, Iso-G BSP or NPT

### Materials

Casted parts: *Stainless steel (EN 10283-1.4412-ASTM CF-8M)*

Outer casing: *Stainless steel (EN 10088-3-1.4436-AISI 316L)*

Motor shaft: *Stainless steel (EN 10088-3-1.4460-AISI 329)*

Impeller: *Stainless steel (EN 10283-1.4412-ASTM CF-8M)*

Screws and nuts: *Stainless steel (A4)*

O-rings: *Viton rubber*

Pump housing liner: *Nitrile rubber*

### Accessories

Zinc anodes

Specifications can be changed without notice